



cat

CATALOG

Casework

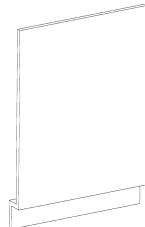
- Base Cabinets
- Filler & Aprons
- Shelving
- Tall Cabinets
- Wall Cabinets



BASE FILLER CODE

HEIGHT	WIDTH
BF29 = 29"H	1"
BF325 = 32.5"H	2"
BF33 = 33"H	3"
BF35 = 35"H	6"
	12"
	18"
	24"
	48"

WOOD: K=OAK, M=Maple
EXAMPLE: A 29"H x 6"W Oak Base Filler would be: **BF29000600**



BASE FILLER WITH TOE KICK CODE

HEIGHT	WIDTH
BFT29 = 29"H	24"
BFT325 = 32.5"H	30"
BFT33 = 33"H	36"
BFT35 = 35"H	42"
	48"

WOOD: K=OAK, M=Maple
EXAMPLE: A 32.5"H x 30"W Oak Base Filler with Toe kick would be: **BFT32503000**



UPPER FILLER CODE

HEIGHT	WIDTH
UF18 = 18"	1"
UF24 = 24"	2"
UF30 = 30"	3"
UF36 = 36"	6"
	12"
	18"
	24"

WOOD: K=OAK, M=Maple
EXAMPLE: A 30"H x 6"W Oak Upper Filler would be: **UF30000600**



UPPER FILLER ENCLOSED CODE

HEIGHT	WIDTH	DEPTH
UFE18 = 18"H	1"	12"
UFE24 = 24"H	2"	16"
UFE30 = 30"H	3"	
UFE36 = 36"H	6"	
	12"	
	18"	
	24"	

WOOD: K=OAK, M=Maple
EXAMPLE: A 30"H x 24"W Oak Upper Enclosed Filler would be: **UFE30002400-16**



1" END PANEL WITH NO TOE KICK CODE

HEIGHT	DEPTH
EP29 = 29"H	16"
EP325 = 32.5"H	22"
EP33 = 33"H	28"
EP35 = 35"H	

WOOD: K=OAK, M=Maple
EXAMPLE: A 35"H x 29"D x 1" Maple End Panel with no Toe kick would be: **EP3529M**

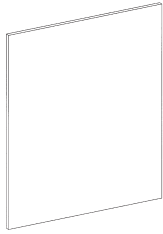


1" END PANEL WITH TOE KICK CODE

HEIGHT	DEPTH
EPT29 = 29"H	16"
EPT325 = 32.5"H	22"
EPT33 = 33"H	28"
EPT35 = 35"H	

WOOD: K=OAK, M=Maple
EXAMPLE: A 35"H x 29"D x 1" Maple End Panel with Toe kick would be: **EPT35002900-EB1**

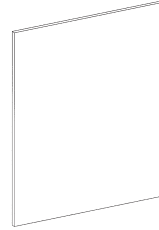
KNEE SPACE PANEL CODE (FINISHED 1 SIDE)



HEIGHT	WIDTH
KSP29 = 29"H	24"
KSP325 = 32.5"H	30"
KSP33 = 33"H	36"
KSP35 = 35"H	42"
	48"

WOOD: K=OAK, M=Maple
EXAMPLE: A 29"H x 24"W Oak
Knee Space Panel would be:
KSP29002400

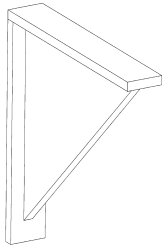
MODESTY PANEL CODE (FINISHED 2 SIDES)



HEIGHT	WIDTH
MP29 = 29"H	24"
MP325 = 32.5"H	30"
MP33 = 33"H	36"
MP35 = 35"H	42"
	48"

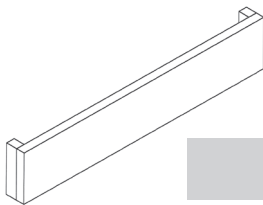
WOOD: K=OAK, M=Maple
EXAMPLE: A 29"H x 24"W Modesty
Panel would be: **MP29002400**

KNEE SPACE SUPPORT CODE



HEIGHT	WIDTH
KSS18 = 18"H	18"
KSS24 = 24"H	24"

WOOD: K=OAK, M=Maple
EXAMPLE: A 24"H x 24"W Oak
Knee Space Support would be:
KSS24002400

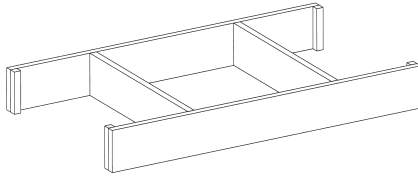


APRON RAIL CODE

HEIGHT	WIDTH
AR2 = 2"H	24"
AR4 = 4.5"H	30"
AR6 = 6"H	36"
	42"
	48"

WOOD: K=OAK, M=Maple
EXAMPLE: A 4.5"H x 24"W Oak Apron Rail
would be: **AR04002400**

APRON-BETWEEN CABINETS, AGAINST WALL



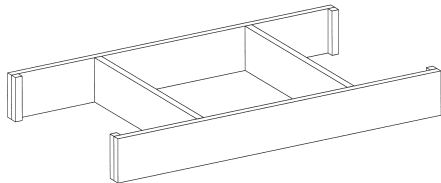
HEIGHT	LENGTH	DEPTH
BC3 = 3" HIGH	24"	15"
BC4 = 4.5" HIGH	30"	21"
	36"	27"
	42"	
	48"	
	54"	
	60"	

STYLE: C=COMP, P=PLAIN / WOOD: K=OAK, M=Maple

NOTE: 3" High apron available in plain style only.

EXAMPLE: A 3"H x 24"L x 15"D Oak Plain Apron that is between cabinets and against a wall would be: **BC324001500P**

APRON-BETWEEN ISLAND CABINETS (FINISHED BOTH SIDES)

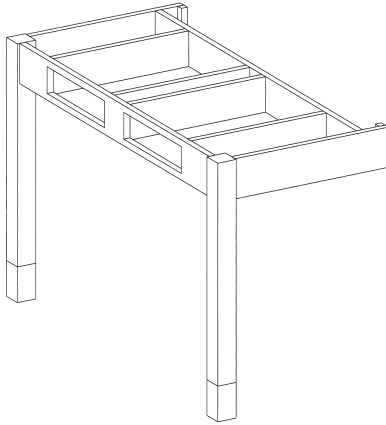


HEIGHT	LENGTH	DEPTH
BIC3 = 3" HIGH	24"	15"
BIC4 = 4.5" HIGH	30"	21"
	36"	27"
	42"	38"
	48"	44"
	54"	
	60"	

STYLE: C=COMP, P=PLAIN / WOOD: K=OAK, M=Maple

NOTE: 3" High apron available in plain style only.

EXAMPLE: A 3"H x 24"L x 15"D Oak Plain Apron that is between an island would be: **BIC324001500P**



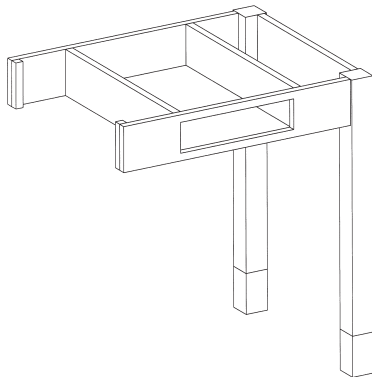
APRON-ISLAND END CAP WITH LEGS (FINISHED BOTH ENDS)

HEIGHT	LENGTH	DEPTH
IE3 = 3" HIGH	38"	15"
IE4 = 4.5" HIGH	44"	21"
	50"	27"
	56"	29"
		32.5"
		35"

STYLE: C=COMP, P=PLAIN / WOOD: K=OAK, M=Maple

NOTE: 3" High apron available in plain style only.

EXAMPLE: A 3"H x 56"L x 15"D Oak Compartment Apron that is an island end cap with legs would be: **IE3560001500P-3500**



APRON-END OF ISLAND CABINET WITH LEGS (FINISHED BOTH SIDES)

HEIGHT	LENGTH	DEPTH
EIC3 = 3" HIGH	24"	15"
EIC4 = 4.5" HIGH	30"	21"
	36"	27"
	42"	29"
	48"	32.5"
	54"	35"
	60"	39"
		45"

STYLE: C=COMP, P=PLAIN / WOOD: K=OAK, M=Maple

NOTE: 3" High apron available in plain style only.

EXAMPLE: A 3"H x 30"L x 21"D Oak Compartment Apron that is at the end of an island with legs would be: **EIC430002100P-3500**